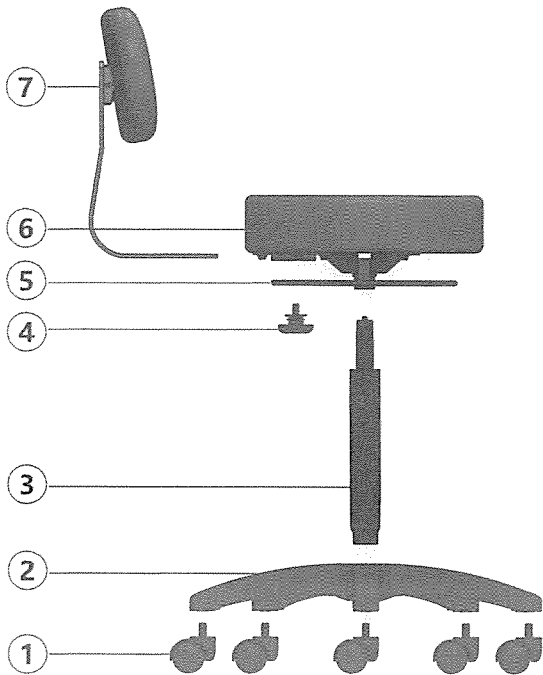


# WINBEX<sup>®</sup> 2106

## Round Stool Instructions



**This stool requires a limited amount of assembly.  
Please read the instructions enclosed:**

### Assembly Instructions

1. Attach wheels ① onto base ②
2. Insert gas cylinder ③ into base ②
3. Place seat ⑥ (with mechanism assembled) onto gas cylinder ③
4. Remove stopping knob ④ and put it aside  
▲ Be careful that step 4 is undertaken before attaching back ⑦ (step 5) onto mechanism
5. Attach back ⑦ into mechanism
6. Place knob ④ back and fasten



### Stool Function Adjustments

#### Seat Height

The height of the seat may be adjusted by pulling height adjustment lever ⑤ upwards and by applying/removing pressure on the seat until the required height is attained.

#### Back Movement

The far and near of back may be adjusted by loosening adjustment knob ④ and sliding the back far/near and held in place by hand tightening adjustment knob.