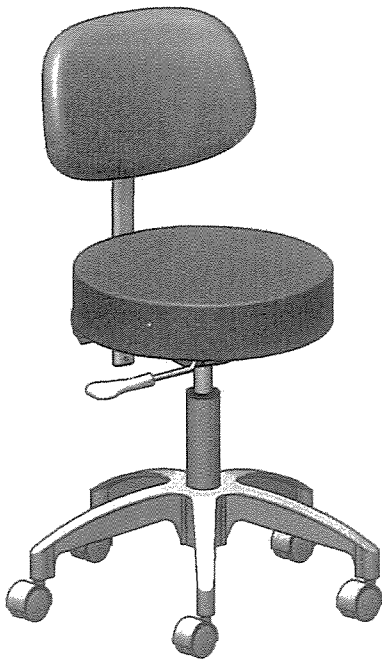
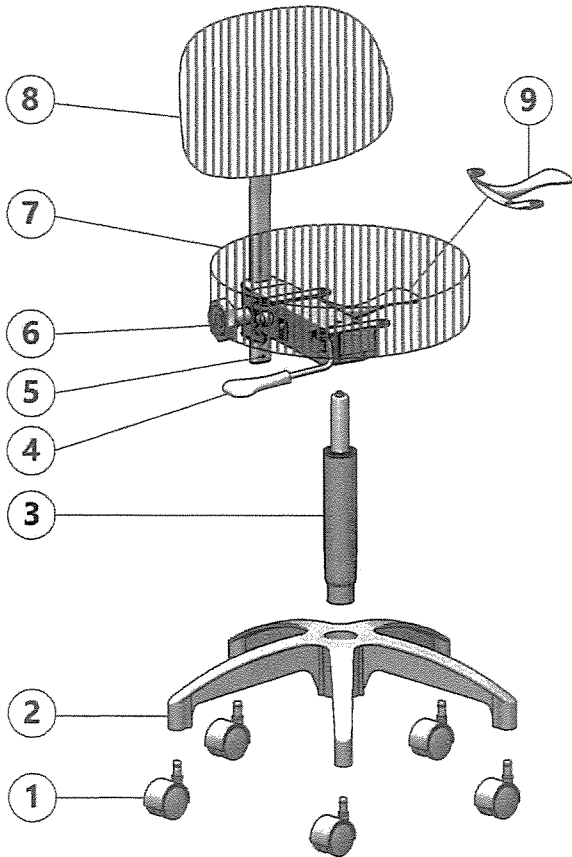


WINBEX[®] 2107

Round Stool Instructions



**This stool requires a limited amount of assembly.
Please read the instructions enclosed:**

Assembly Instructions

1. Attach wheels ① onto base ② .
2. Insert gas cylinder ③ into base ② .
3. Place seat ⑦ (with mechanism assembled) onto gas cylinder ③ .
4. Attach back upright ⑧ onto mechanism.
5. For disassembling the backrest, loose the knob ⑥ firstly and then press the clip ⑤ while pulling up the upright.

Stool Function Adjustments

Seat Height

The height of the seat may be adjusted by pulling height adjustment lever ④ upwards and by applying/removing pressure on the seat until the required height is attained.

Back Movement

Back with 10 degrees forward movement and 14 degrees rearward by pushing handle lever ⑨ downwards to "free float" the movement and pulling upwards to re-lock when the required position is attained.

Back Height

The height of the back may be adjusted by loosening adjustment knob ⑥ and sliding the upright tube up/down and held in place by hand tightening adjustment knob ⑥ .